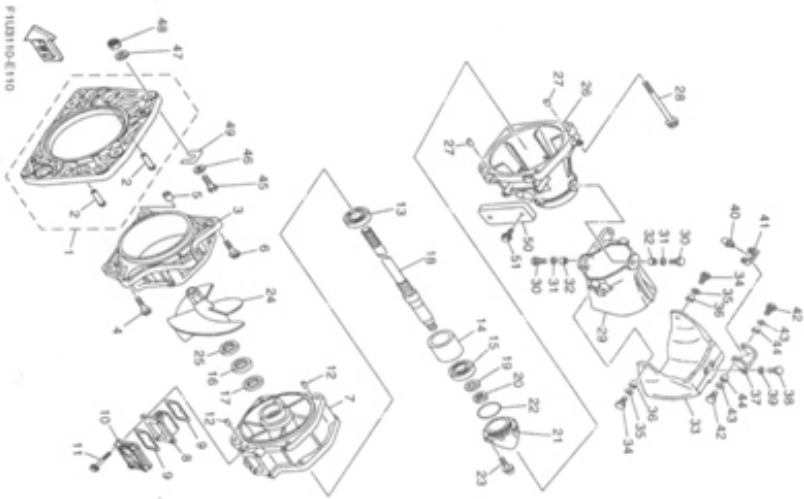


JET UNIT 1



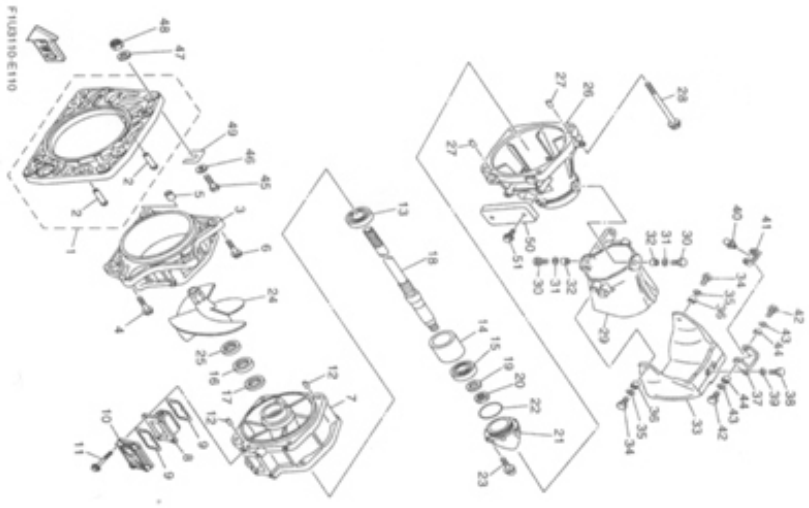
| Ref. No. | Part Number | Description | Qty | Remarks |
|----------|-----------------|----------------------|-----|---------|
| 1 | 685-G5831-00-85 | PLATE, TRANSOM | 1 | |
| 2 | 685-R1129-00-00 | NIPPLE | 2 | |
| 3 | 66V-51312-01-94 | HOUSING, IMPELLER | 1 | |
| 4 | 90119-06835-00 | BOLT, WITH WASHER | 1 | |
| 5 | 685-R1719-00-00 | COLLAR | 2 | |
| 6 | 90119-10836-00 | BOLT, WITH WASHER | 4 | |
| 7 | 686-61315-01-94 | DUCT, IMPELLER | 1 | |
| 8 | 66V-46882-00-00 | FILTER | 1 | |
| 9 | 66V-42414-00-00 | O-RING | 2 | |
| 10 | 66V-45214-00-94 | COVER, WATER INLET 1 | 1 | |
| 11 | 67595-06535-00 | BOLT, WITH WASHER | 4 | |
| 12 | 93606-12019-00 | PNK. DOWEL | 2 | |
| 13 | 93306-10500-00 | BEARING | 1 | |
| 14 | 65V-34439-00-00 | SPACER 1 | 1 | |
| 15 | 93306-304U1-00 | BEARING | 1 | |
| 16 | 93101-28M66-00 | OIL SEAL | 1 | |
| 17 | 93101-2802-00 | OIL SEAL | 1 | |
| 18 | 68Y-45511-00-00 | SHAFT, DRIVE | 1 | |
| 19 | 92990-16600-00 | WASHER | 1 | |
| 20 | 95317-16700-00 | NUT | 1 | |
| 21 | 688-51328-18-00 | CAP | 1 | |
| 22 | 93210-464A3-00 | O-RING | 1 | |
| 23 | 90110-06038-00 | BOLT, HEXAGON SOCKET | 3 | |
| 24 | 6P6-R1321-00-00 | IMPELLER | 1 | PORT |
| 25 | 66V-R1348-10-00 | IMPELLER | 1 | STBD |
| 26 | 685-51318-01-94 | SPACER | 1 | YMWUS |
| 27 | 93606-12019-00 | NOZZLE | 1 | |
| 28 | 90119-10001-00 | BOLT, WITH WASHER | 4 | |
| 29 | 685-51313-00-85 | NOZZLE, DEFLECTOR | 1 | |

CONTINUED ON NEXT FRAME ▶

CONTENTS

| | |
|---------|-----------------------------|
| E7 | BIMINI TOP CARPET |
| E3 | CONTROL CABLES |
| B44 | CRANKSHAFT PISTON |
| A44 | CYLINDER HEAD |
| A33 | DECK DRAIN FITTINGS |
| E2 | DECK HATCH 1 |
| D1-2 | DECK HATCH 2 |
| D3-5 | ELECTRICAL 1 |
| C4-5 | ELECTRICAL 2 |
| C7 | ELECTRICAL 3 |
| C7 | ELECTRICAL 4 |
| B4-7 | EXHAUST 1 |
| B4-7 | EXHAUST 2 |
| C10 | EXHAUST 3 |
| C11-12 | FUEL TANK |
| C2 | GENERATOR |
| E5 | GEARBOX MATS |
| D4-9 | HELIX |
| D12, L1 | HELIX |
| D12, R1 | HELIX |
| B10-11 | JET UNIT 1 |
| B12, C1 | JET UNIT 2 |
| A12, B1 | OIL COOLER |
| A19-11 | OIL PUMP |
| E9 | REPAIR KIT |
| D6-7 | SEAT CUSHION |
| E4 | STARTING MOTOR |
| E4 | STEERING MOTOR |
| E4 | STEERING OPTIONAL EQUIPMENT |
| E8 | SWIVEL SEAT |
| D10 | THROTTLE BODY ASSY |
| A4-9 | VALVE |
| A6-7 | VENTILATION SYSTEM |
| D11 | WAKEBOARD TOWER |
| E8 | |

JET UNIT 1



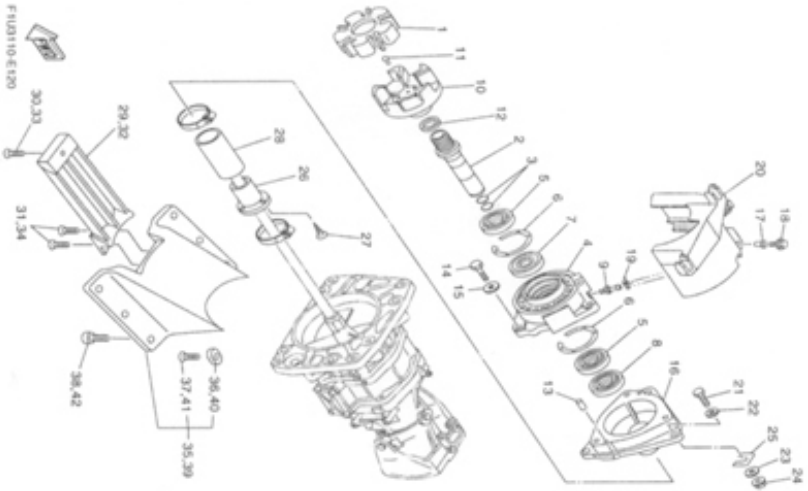
| Ref. No. | Part Number | Description | Qty | Remarks |
|----------|-----------------|-------------------------|-----|---------|
| 30 | 97095-08920-00 | BOLT | 2 | |
| 31 | 92995-08600-00 | WASHER | 2 | |
| 32 | 90387-08M08-00 | COLLAR | 2 | |
| 33 | 65B-51314-00-85 | GATE, REVERSE | 1 | |
| 34 | 97095-08920-00 | BOLT | 2 | |
| 35 | 92995-08600-00 | WASHER | 2 | |
| 36 | 90387-08M08-00 | COLLAR | 2 | |
| 37 | 65B-44121-00-00 | LEVER, SHIFT ROD | 1 | |
| 38 | 97095-06016-00 | BOLT | 2 | |
| 39 | 92995-08600-00 | WASHER | 2 | |
| 40 | 6RB-42316-00-00 | BOLT, JOINT | 1 | |
| 41 | 6RB-44125-00-00 | LEVER, SHIFT ROD | 1 | |
| 42 | 97095-06012-00 | WASHER | 2 | |
| 43 | 92995-08600-00 | WASHER | 2 | |
| 44 | 90387-08M24-00 | COLLAR | 2 | |
| 45 | 9709R-10065-00 | BOLT | 4 | |
| 46 | 90201-10800-00 | WASHER, PLATE | 4 | |
| 47 | 90201-10802-00 | WASHER, PLATE | 4 | |
| 48 | 95680-10100-00 | NUT, M10-1.5 NYLON LOCK | 4 | |
| 49 | G00-U7249-00-05 | SHIM (T=0.5) | 2 | |
| 50 | F1C-U7697-16-00 | ANODE | 2 | |
| 51 | 90119-06803-00 | BOLT, WITH WASHER | 2 | |

UR

CONTENTS

- E7 BIRM TOP CAPPET
- E3 CONTROL CABLES
- E4 CRANKSHAFT
- E4.5 CRANK PISTON
- A2.3 CYLINDER HEAD
- E2 DECK DRAIN FITTINGS
- O1-2 DECK HATCH 1
- O1-5 DECK HATCH 2
- C4.5 ELECTRICAL 1
- C6 ELECTRICAL 2
- C7 ELECTRICAL 3
- C7 ELECTRICAL 4
- E8.2 EXHAUST 1
- E8.3 EXHAUST 2
- E8.4 EXHAUST 3
- C16 FUEL TANK
- C11-12 FUEL TANK GENERATORS
- C2 GRAPHICS MATS
- E5 HELM
- O8.9 HELM DECK FITTINGS
- D12, L1 INFLATOR
- D12, L1 JET UNIT 1
- B12, L1 JET UNIT 2
- A12, C1 OIL COOLER
- A10-11 OIL PUMP
- E9 REPAIR KIT
- O6-7 SEAT CUSHION
- C4 STARTING MOTOR
- E4 STEERING MOTOR
- E4 STEERING OPTIONAL EQUIPMENT
- E6 SWIVEL SEAT
- D10 THROTTLE BODY ASSY
- A6-7 VALVE
- A6-7 VENTILATION SYSTEM
- E8 WAKEBOARD TOWER

JET UNIT 2



| Ref. No. | Part Number | Description | Qty | Remarks |
|----------|------------------|-----------------------|-----|---------|
| 1 | 68E-4581J-00-00 | RUBBER SHAFT COUPLING | 1 | |
| 2 | 68Y-5123-00-00 | SHAFT, COUPLING | 1 | |
| 3 | 93210-19001-00 | O-RING | 2 | |
| 4 | 61X-4532-00-00 | HOUSING, BEARING | 1 | |
| 5 | 93101-25M55-00 | OIL SEAL | 2 | |
| 6 | 83430-47M04-00 | CIRCLIP | 2 | |
| 7 | 93306-20S16-00 | BEARING | 1 | |
| 8 | 93101-25M55-00 | OIL SEAL | 1 | |
| 9 | 61L-45378-00-090 | NIPPLE, HOSE | 1 | |
| 10 | 68Y-45813-00-94 | FLANGE, COUPLING | 1 | |
| 11 | F9U-U2698-00-00 | RIVET | 1 | YMWUS |
| 12 | 90201-27008-00 | WASHER, PLATE | 1 | |
| 13 | 93506-12019-00 | PIN, DOWEL | 2 | |
| 14 | 97095-08025-00 | BOLT | 3 | |
| 15 | 92995-08600-00 | WASHER | 3 | |
| 16 | 66G-45331-00-94 | HOUSING, BEARING | 1 | YMWUS |
| 17 | 90387-06M60-00 | COLLAR | 1 | |
| 18 | 90119-069UD-00 | BOLT, WITH WASHER | 1 | YMWUS |
| 19 | 90501-200U1-00 | BAND | 1 | |
| 20 | 685-51381-00-00 | COVER | 1 | |
| 21 | 97080-08045-00 | BOLT | 6 | |
| 22 | 9299R-08600-00 | WASHER, PLATE | 5 | YMWUS |
| 23 | 90209-15S44-00 | WASHER | 7 | |
| 24 | 95780-08300-00 | NUT, FLANGE | 6 | |
| 25 | 500-U7249-00-05 | SHIM (T=0.5) | 4 | |
| 26 | FOR-U883E-00-00 | JOINT, PIPE | 2 | |
| 27 | 90167-085A8-00 | SCREW, TAPPING | 6 | |
| 28 | GU1-U883B-10-00 | PIPE, 1 | 2 | |
| 29 | F1C-U7287-40-00 | SCREW, INTAKE | 1 | |
| 30 | 90149-08801-00 | SCREW | 1 | |

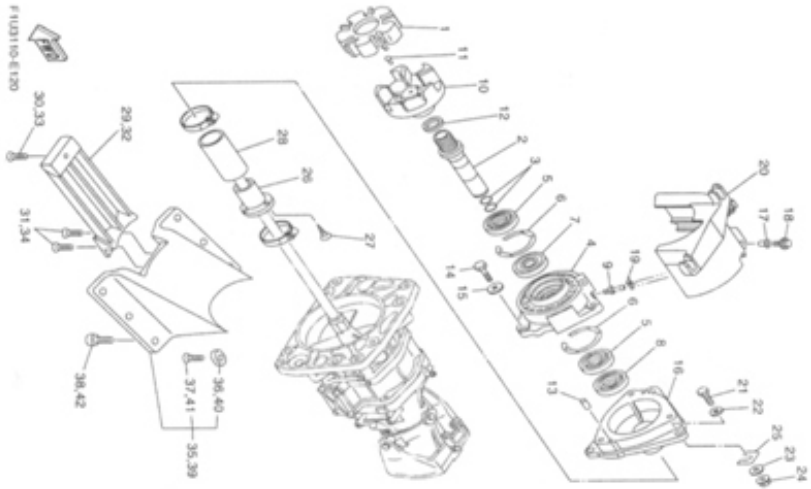
CONTINUED ON NEXT FRAME ▶

CONTENTS

| | |
|---------|---------------------|
| E7 | BUMR TOP CARPET |
| E3 | CONTROL CABLES |
| E4-5 | CRANKCASE FITTING |
| A3-3 | CYLINDER HEAD |
| E2 | DECK DRAIN FITTINGS |
| D1-2 | DECK HATCH 1 |
| D1-5 | DECK HATCH 2 |
| C4-5 | ELECTRICAL 1 |
| C5 | ELECTRICAL 2 |
| C7 | ELECTRICAL 3 |
| C8-9 | ELECTRICAL 4 |
| B8-9 | EXHAUST 1 |
| B8-9 | EXHAUST 2 |
| C16 | FUEL TANK |
| C11-12 | GENERATOR |
| C2 | GEARBOX MATS |
| E5 | HELL |
| D8-9 | HELL DECK FITTINGS |
| D12, E1 | INTAKE |
| B10-11 | JET UNIT 1 |
| B12, C1 | JET UNIT 2 |
| A12, B1 | OIL COOLER |
| A19-11 | OIL PUMP |
| E9 | REPAIR KIT |
| D6-7 | SEAT CUSHION |
| C3 | STARTING MOTOR |
| E4 | STEERING MOTOR |
| E8 | STEERING OPTIONAL |
| D10 | SWITCH SEAT |
| D18 | THROTTLE BODY ASSY |
| A6-7 | VALVE |
| A6-7 | VENTILATION SYSTEM |
| D11 | WAKEBOARD TOWER |
| E8 | |

JET UNIT 2

| Ref. No. | Part Number | Description | Qty | Remarks |
|----------|------------------|-----------------------|-----|---------|
| 31 | 90149-08800-00 | SCREW | 2 | |
| 32 | F1C-UJ72B7-50-00 | SCREEN, INTAKE | 1 | |
| 33 | 90149-08801-00 | SCREW | 1 | |
| 34 | 90149-08800-00 | SCREW | 2 | |
| 35 | F1C-UJ72B6-40-00 | DUCT, INAKE | 1 | |
| 36 | F0K-UJ7697-00-00 | . ANODE (A0060760850) | 1 | |
| 37 | 90151-105A1-00 | . SCREW, COUNTERSUNK | 1 | |
| 38 | 90111-08832-00 | BOLT, HEX SOCKET | 6 | |
| 39 | F1C-UJ72B6-50-00 | DUCT, INTAKE | 1 | |
| 40 | F0K-UJ7697-00-00 | . ANODE (A0060760850) | 1 | |
| 41 | 90151-105A1-00 | . SCREW, COUNTERSUNK | 1 | |
| 42 | 90111-08832-00 | BOLT, HEX SOCKET | 6 | |



CONTENTS

| | |
|---------------------|----------|
| SEAT TOP CAPLET | E1 |
| CONTROL CABLES | E1.5 |
| CRANKCASE | A4.5 |
| CRANKSHAFT PISTON | A2.3 |
| CYLINDER HEAD | E2 |
| DECK DRAIN FITTINGS | D1-2 |
| DECK HATCH 1 | D1-3 |
| DECK HATCH 2 | C4.5 |
| ELECTRICAL 1 | E4.5 |
| ELECTRICAL 2 | C7 |
| ELECTRICAL 3 | C8.9 |
| ELECTRICAL 4 | B4-7 |
| EXHAUST 1 | B4-9 |
| EXHAUST 2 | C19 |
| EXHAUST 3 | C11-12 |
| FUEL TANK | C2 |
| GENERATOR | E3 |
| GRAPHICS MATS | D4.5 |
| HULL DECK FITTINGS | D1-2, E1 |
| INTAKE | B3.3 |
| JET UNIT 1 | B10-11 |
| JET UNIT 2 | B12, C1 |
| OIL COOLER | A12, B1 |
| OIL PUMP | A10-11 |
| REPAIR KIT | E5 |
| SEAT CUSHION | D6-7 |
| SEAT FRAME | E4 |
| STEERING MOTOR | E4 |
| STEREO OPTIONAL | E4 |
| EQUIPMENT | E6 |
| SWIVEL SEAT | D10 |
| THROTTLE BODY ASSY | A4-9 |
| VALVE | A4-7 |
| VENTILATION SYSTEM | D11 |
| WAKEBOARD TOWER | E8 |